

Installation instructions

Before installing	3
Front doors and shed doors	4
Gasket for threshold extension plate	8

What you need

Spirit level

Screwdriver

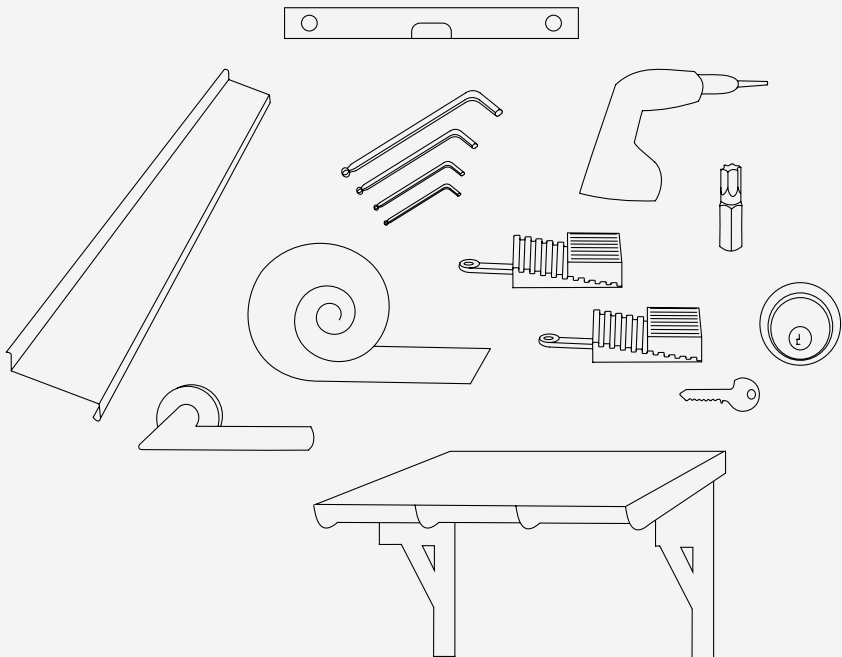
Torx bits

Hex keys

Glass wool insulation

Leveling shims

Cylinders, lock cylinder rings and door handles
if not included with the door



Before installing ...

Storing the doors

1. Doors, frames and sidelights must be stored in a dry space, shielded from rain.
2. Never place the door directly on the floor but lay it on top of, for example, expanded polystyrene (EPS) foam.
3. Mounts and fittings that have been delivered in separate pieces shall be stored indoors.

Dimensions of the door opening

The dimensions of the door opening must be 15-30 mm wider than the external dimensions of the doorframe. The distance between the door and the wall needs to be equal on all sides.

Mounting methods and wall materials

1. For all the mounting, the included frame sockets should be used, alternatively a corresponding socket which meets the SS 817332 requirements.
2. All of the mounting holes should be used and all the screws need to be properly secured in the foundation. The wall might need to be reinforced in order to achieve this.
3. Included screws are intended for mounting on wood or concrete and not on porous materials such as lightweight concrete. On concrete walls and walls made out of porous materials, plugs might be needed.

Recommended screw lengths

Wood and concrete: min 60 mm (the screw must enter at least 45 mm into the wall framework),

Porous wall materials, for example lightweight concrete: min 130 mm (the screw must enter at least 115 mm into the wall framework).

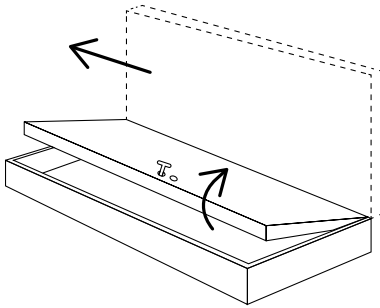
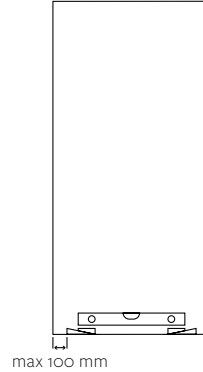
The selected mounting method must allow for readjustment of the frame for the warranty to be valid.

Front door and shed door installation

1

Check, using a spirit level, that the foundation is leveled. If not, use the leveling shims made out of moisture resistant material in order to achieve this. The shims shall be placed max 100 mm away from the outer edge of the framework. They must be at least 20 mm smaller than the depth of the framework in order to give space to the sealant.

Advice! More than 2 shims might be needed to avoid that the threshold yields.



2

Let the door lie down. Open the lock with a chisel or handle. Lift the door leaf from the framework. Place the door leaf on a soft foundation to avoid damaging the lower edge.

Damages on the surface layer can result in moisture damage of the door leaf, which will not be covered by the warranty.

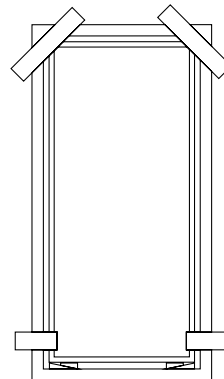
3

If side or toplights shall be mounted together with the door, see p. 14.

4

Place the door frame on top of the leveling shims in the wall opening. Adjust so that the frame is placed correctly according to the depth.

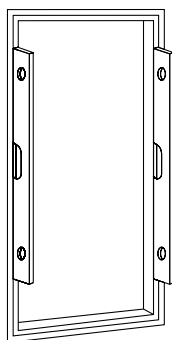
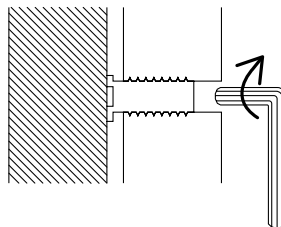
Advice! In order to avoid the risk of the frame falling out, shims can be mounted as a support on the outside.



Unscrew the frame sockets on the sides of the wall opening. All of the frame sockets should be able to rest against the wall so that a fixed mounting is achieved. (In cases where the frame does not have premounted sockets, these shall be screwed in from the backside of the frame using a hex key or mounting tool from the manufacturer.)

5

Advice! When mounting on porous wall materials, it might be necessary to fasten pressure distribution washers on the back of the sockets.

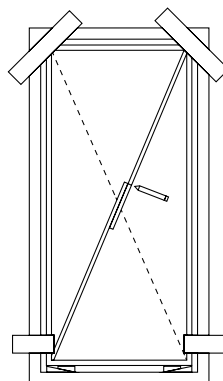


6

Check, using a long spirit level, that the sides of the frames are completely straight and do not lean in towards or out from the room. Also check that the sides of the frames are straight and do not bulge inwards or towards the middle. The gap between the frame and the wall must be even all around by 7,5-15 mm. If needed, adjust using the frame sockets.

7

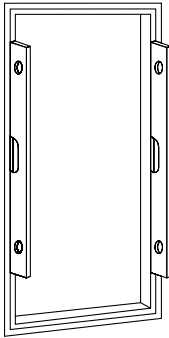
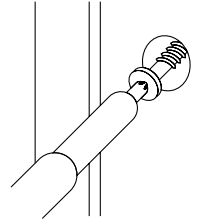
Measure the frame diagonally to ensure that it is standing correctly. This is achieved when both of the diagonal measurements are even. Adjust, using the frame sockets, if needed.



8

Screw the frame onto the wall. All of the mounting holes must be used. Use screws that attach properly to the available wall material (see section "Before installing" for recommendations).

Advice! Start by screwing the hinge side of the frame, check with a spirit level and make potential adjustments. Then, continue with the striking plate side.

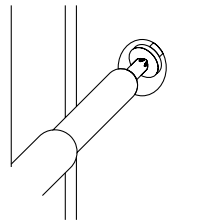


9

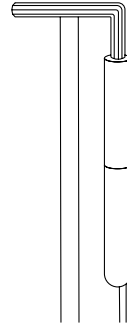
Check again, using the spirit level, that the frame is straight on all sides, as described in the instructions. Adjust the mounting if needed by loosening the screw and the socket. Check once again, unscrew the socket and then screw in the screw. Note! Ensuring that the framework is mounted straight is crucial for sealing and functionality.

10

Tighten the mounting screws and hang the door leaf onto the frame once again.

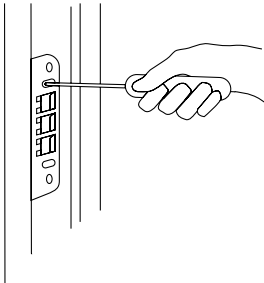


Check that the gap between the frame and the door leaf is even on all sides. The gap should be 2-3 mm around the entire door leaf. In order to achieve this, the door leaf height can be adjusted by using the hinges. Unscrew the hinge cap and adjust using a hex key. The door moves up when turning the hex key clockwise and down when turning it counterclockwise.



11

Advice! The hinges can also be placed sideways. Loosen the hinge screws on the frame a little bit and adjust sideways by unscrewing the torx screws. Tighten the hinge screws after adjusting them.



12

In order to adjust the closing pressure and make the door leaf align with the frame, the striking plate might need to be adjusted. The interior part of the striking plate is moveable and can be adjusted according to depth by loosening both of the striker adjustment screws.

13

Apply wood oil on the oak threshold.

14

Cover the mounting holes with the included cover plugs.

15

Caulk/seal around the frame and cover with lining.

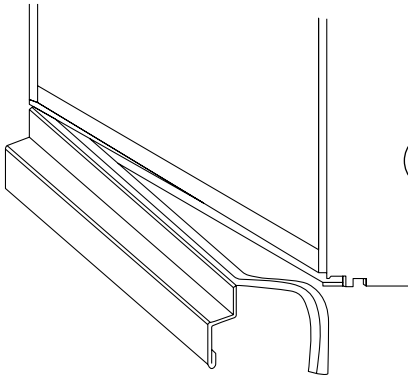
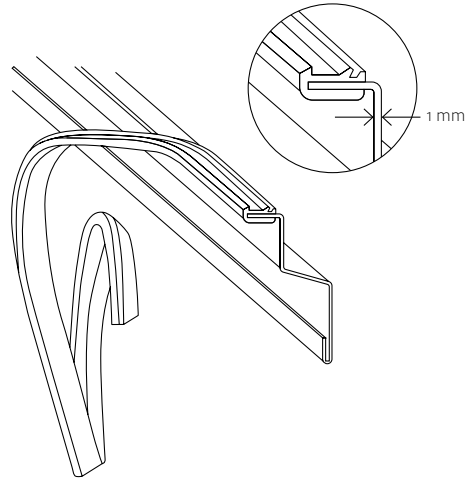
16

If the door does not have a overhang, a sheet or canopy should be mounted in order to divert moisture from above.

Gasket for threshold extension plate installation

Option 1 - Straight finish

- 1 Mount the gasket along the entire length of the threshold extension plate. The flanges should face upwards, see picture.



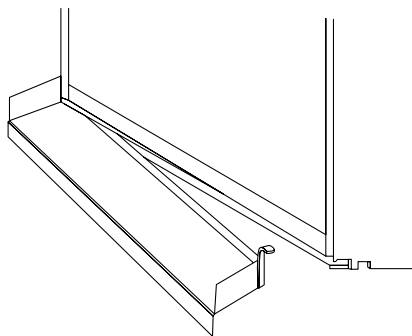
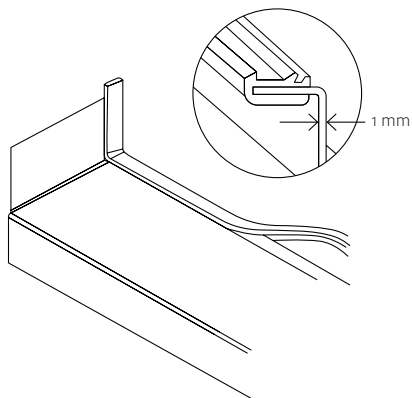
- 2 Start by pressing the gasket in the correct end position and then press the gasket along the entire threshold extension plate.

Gasket for threshold extension plate installation

Option 2 - Folded finish

1

Mount the gasket along the entire length of the threshold extension plate. The flanges should face upwards, see picture.



2

Start by pressing the gasket in the correct end position and then press the gasket along the entire threshold extension plate.

